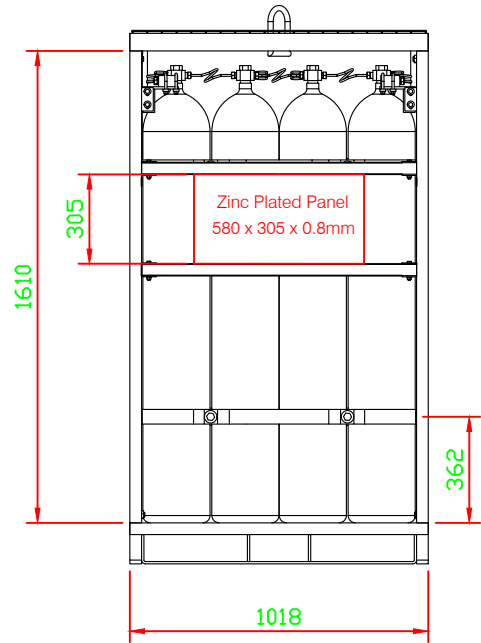
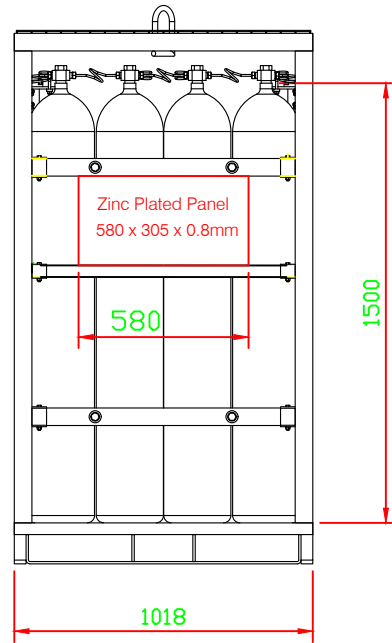


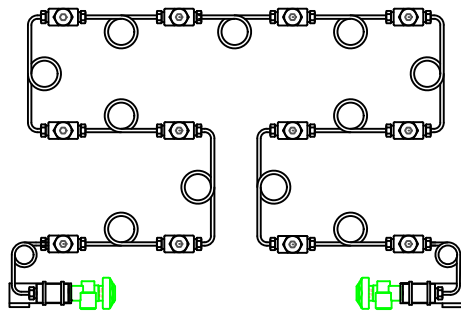
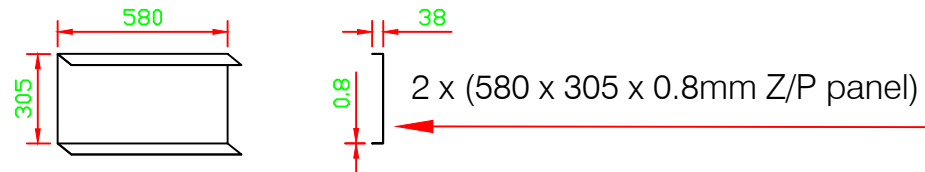
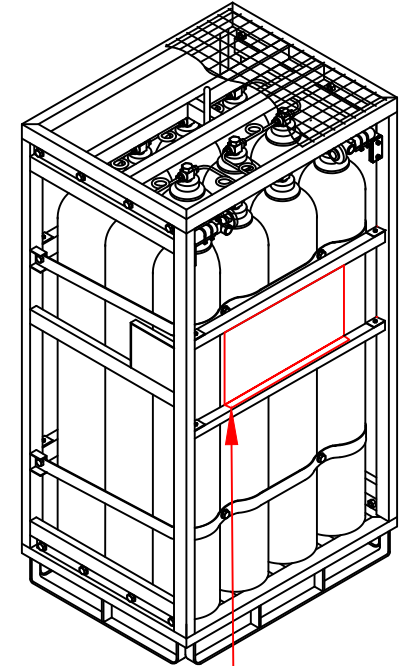
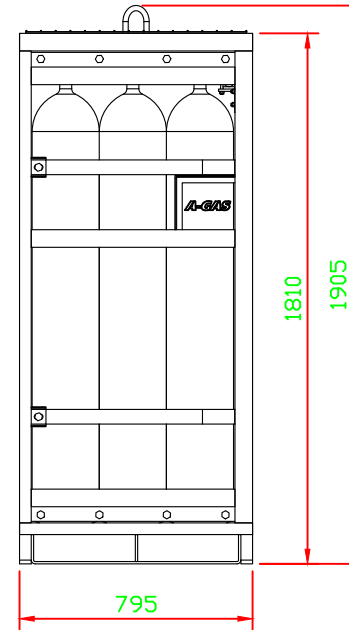
# FRONT VIEW



# BACK VIEW



# SIDE VIEW



SS-DC Manifold with 300 Bar Bursting Discs  
See Drawing No. A501-4-42rev0

<p>3RD ANGLE PROJECTION</p>		<h2>200/300 BAR 12 PACK</h2> <p>For Cylinders with 229mm Diameter</p>				<p>© COPYRIGHT CONFIDENTIAL INFORMATION PROPERTY OF CEFRANK UK Limited Company No: 8101180</p>	
SCALE	N/S	CEFRANK		www.cefrank.com		<h3>12PACK-DC</h3>	
DATE	15-09-2009						
DRAWN	WZL					<h3>REV 6</h3>	
CHECKED	F.C.						
APPROVED	F.C.	6	Updated Manifold Drawing No. to A501-4-42rev0	JC	15/10/2022		
		REV	CHANGE	BY	DATE		