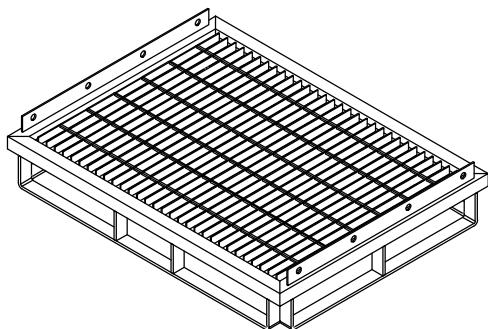
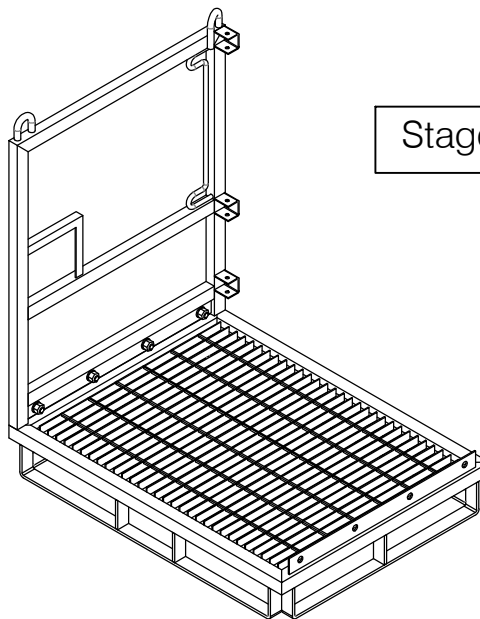


12 CYL.PALLET ASSEMBLY

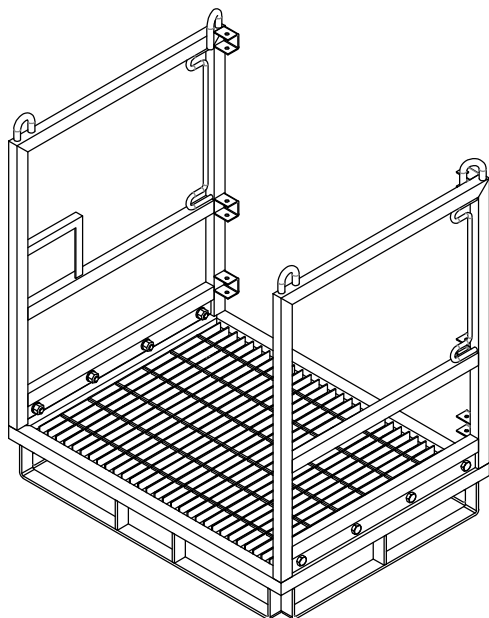
Stage 1



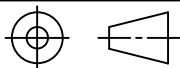
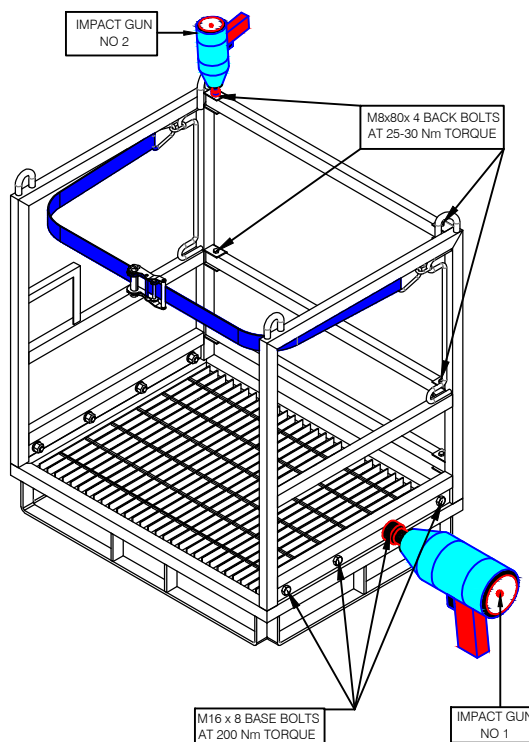
Stage 2



Stage 3



Stage 4



3RD ANGLE PROJECTION

12 CYL.PALLET ASSEMBLY

© COPYRIGHT
CONFIDENTIAL INFORMATION

SCALE NTS

CEFRANK

www.cefrank.com

PROPERTY OF
CEFRANK UK LIMITED
CN 8101180

DATE 12/05/14

DRAWN F.CETINICH

512-4-2

REV
0

APPROVED F.CETINICH

REV	CHANGE	BY	DATE